



# ACKNOWLEDGEMENT

Dexter Axle P34  
 Dexter "Axle Plant" - Loc 34  
 500 S. 7th St.  
 Albion, IN 46701  
 Phone: 260-636-2195

DR4 03:29PM

PAGE

1

DATE

1/30/2017

\*\*\* QUOTE \*\* QUOTE \*\*\*

SOLD TO

SHIP TO

CREDIT CARD TEXAS

PEDRICK77 @YAHOO.COM

ORDER NO	ORDER DATE	CUSTOMER NO.	LOC.	SLSMN	PURCHASE ORD NO	JOB NUMBER	SHIP VIA	COL/PPD
416528	1/30/2017	700TX 0000	34	604		416528	Bestway	Prepay & Add
					QUOTE			
LINE SEQ#	QTY ORD	PROMISE DATE	ITEM NUMBER CUST PART NO	DESCRIPTION	CONFIG	UOM WGT	UNIT PRICE	EXTENDED PRICE
1	1	2/03/17	K23-105-00 LH BRK KIT 12 X 2 6K CSA ELEC	REV: F		EA 11	140.52	140.52
2	1	2/03/17	K23-106-00 RH BRK KIT 12 X 2 6K CSA ELEC	REV: F		EA 16	140.52	140.52
3	1	2/03/17	K23-458-00 LH FSA BRK KIT 12 X 2 6K CSA ELEC	REV: F		EA 15	148.30	148.30
4	1	2/03/17	K23-459-00 RH FSA BRK KIT 12 X 2 6K CSA ELEC	REV: F		EA 15	148.30	148.30
5	1	2/03/17	K08-201-94 2.125 SEAL KIT H-D 008-201-05 E-Z LUBE HUB-DRUM KIT FOR 5.2K AXLE, 6-5.50 BC, STUDED 1/2"-20, 2.125 SEAL, E-Z LUBE GREASE CAP.	REV: D		EA 36	218.22	218.22
6	1	2/03/17	K08-201-90 2.125 SEAL KIT H-D 008-201-05 GREASE , HUB-DRUM KIT FOR 5.2K AXLE, 6-5.50 BC,	REV: D		EA 36	211.52	211.52

\*\*\* Continued On The Next Page \*\*\*



# ACKNOWLEDGEMENT

Dexter Axle P34  
 Dexter "Axle Plant" - Loc 34  
 500 S. 7th St.  
 Albion, IN 46701  
 Phone: 260-636-2195

DR4 03:29PM

PAGE
2

DATE
1/30/2017

\*\*\* QUOTE \*\* QUOTE \*\*\*

SOLD TO

SHIP TO

CREDIT CARD TEXAS

PEDRICK77 @YAHOO.COM

ORDER NO	ORDER DATE	CUSTOMER NO.	LOC.	SLSMN	PURCHASE ORD NO	JOB NUMBER	SHIP VIA	COL/PPD	
416528	1/30/2017	700TX 0000	34	604		416528	Bestway	Prepay & Add	
					QUOTE				
LINE SEQ#	QTY ORD	PROMISE DATE	ITEM NUMBER CUST PART NO	DESCRIPTION	CONFIG	UOM WGT	UNIT PRICE	EXTENDED PRICE	
				STUDED 1/2"-20, 2.125 SEAL, STANDARD GREASE CAP.					
7	1	2/03/17	K08-201-98 2.25 SEAL KIT H-D 008-201-05	REV: D E-Z LUBE		EA 36	214.00	214.00	
			HUB-DRUM KIT FOR 5.2K AXLE, 6-5.50 BC, STUDED 1/2"-20, 2.25 SEAL, E-Z LUBE GREASE CAP.						
8	1	2/03/17	K08-201-97 KIT H-D 008-201-05	REV: D 2.25 GREASE		EA 36	211.38	211.38	
			HUB-DRUM KIT FOR 5.2K AXLE, 6-5.50 BC, STUDED 1/2"-20, 2.25 SEAL, STANDARD GREASE CAP.						

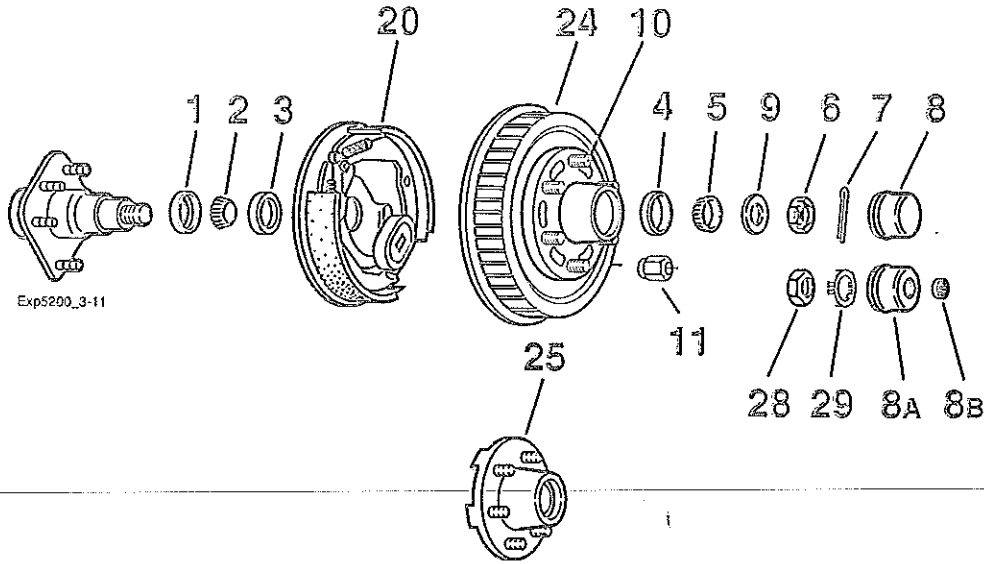
Credit Card

Total Weight: 201  
 Order Line Value: 1,432.76

# D52, D60 655 Hub Group



4100 - 6000 LBS. CAPACITY



## Grease Lube Parts

Item	Part No.	Description
1	010-036-00	Grease Seal, E-Z Lube <sup>®</sup> Seal
1	010-063-00	Oil Seal
2	031-030-02	25580 Inner Bearing cone
3	031-030-01	25520 Inner Bearing Cup
4	031-032-01	LM67010 Outer Bearing Cup (for 5200#)
5	031-032-02	LM67048 Outer Bearing Cone (for 5200#)
4	031-029-01	15245 Outer Bearing Cup (for 6000#)
5	031-029-02	15123 Outer Bearing Cone (for 6000#)
6	006-176-00	Spindle Nut
7	019-002-00	Coller Pin (not used with E-Z Lube <sup>®</sup> )
8	021-001-00	Grease Cap
8A	021-042-01	Grease Cap for E-Z Lube <sup>®</sup>
8B	085-001-00	Rubber Plug for E-Z Lube <sup>®</sup>
9	005-023-00	Spindle Washer
28	006-191-00	Special Jam Nut for E-Z Lube <sup>®</sup> (after 2002)
29	006-190-00	Spindle Nut Retainer for E-Z Lube <sup>®</sup> (after 2002)

Item	Part No.	Description	Bolt Circle
<b>Hubs</b>			
<b>Hubs and Drums</b>			
24	008-201-05	½" Stud for 5200#	6 on 5.50
24	008-201-09	½" Stud 15123 bearing for 6000#	6 on 5.50
<b>Plain Hubs</b>			
25	008-213-05	½" Stud for 5200#	6 on 5.50
25	008-213-09	½" Stud 15123 bearing for 6000#	6 on 5.50

## Studs & Wheel Nuts

Item	Part No.	Description
10	007-122-00	½-20 x 1.99 Long Press-in Stud*
10	007-262-00	½-20 x 2.70 Long Press-in Stud*
11	006-080-00	½-20 60° Cone Nut

\* Stud length measured under head to end of stud.

8 on 6.5 hubs are available on these axles.  
See section in 5500-7000 lbs. capacity.

## 12" x 2" Brakes

Item	Part No.	Description
20	K23-105-00/K23-106-00	LH/RH Electric
ns	K23-112-00/K23-113-00	LH/RH Electric w/park
ns	K23-326-00/K23-327-00	LH/RH Electric 6K CSA
ns	K23-328-00/K23-329-00	LH/RH Electric 6K CSA w/park
ns	K23-324-00/K23-325-00	LH/RH Hydraulic Uni-servo
ns	K23-320-00/K23-321-00	LH/RH Hydraulic Uni-servo w/park
ns	K23-322-00/K23-323-00	LH/RH Hydraulic Duo-servo
ns	K23-318-00/K23-319-00	LH/RH Hydraulic Duo-servo w/park
ns	K23-342-00/K23-343-00	LH/RH Hydraulic Free Backing
ns	K23-340-00/K23-341-00	LH/RH Hydraulic Free Backing w/park
ns	K23-342-01/K23-343-01	LH/RH Hydraulic FB Corrosion Resistant
ns	K23-340-01/K23-341-01	LH/RH Hydraulic FB Corrosion Resistant w/park
ns	K23-458-00/K23-459-00	LH/RH Electric Nev-R-Adjust <sup>®</sup>
ns	K23-466-00/K23-467-00	LH/RH Electric 6K CSA Nev-R-Adjust <sup>®</sup>

*← Elec Brake*

*← Nev-R-Adjust*

ns - not shown

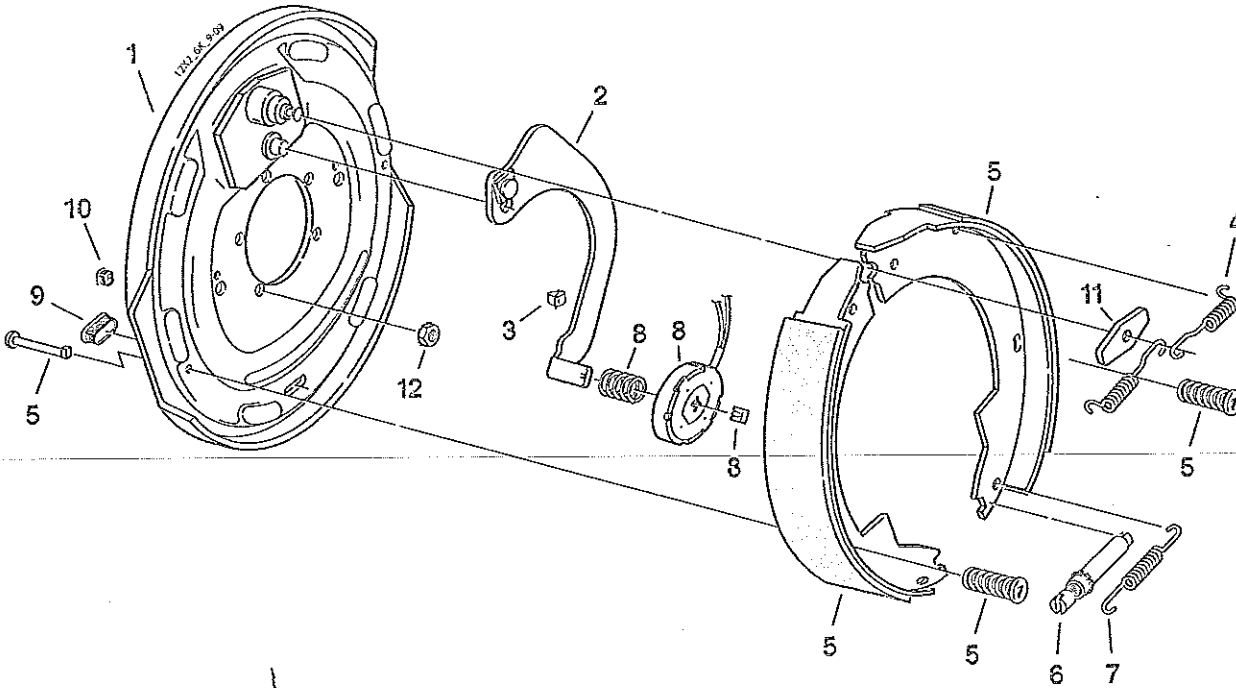
Note: Spindle is not available for resale.

4100 - 6000 LBS. CAPACITY

# D52, D60 12" x 2" Electric Brake



CSA approved at 5200#/14.2 SLR  
 CSA approved at 6000#/14.2 SLR



## Electric Brake 6000# (CSA 5200#)

Item	Part No.	Qty/Brk	Description
0	K23-105-00	1	LH Complete Brake Assembly
0	K23-108-00	1	RH Complete Brake Assembly (shown)
1	036-089-10	1	Backing Plate Assembly
2	047-107-05	1	LH Actuating Lever Arm Assembly
2	047-108-05	1	RH Actuating Lever Arm Assembly
3	027-005-00	2	Wire Clip
4	046-009-00	2	Retractor Spring
5	K71-048-00	1	Shoe & Lining Kit Contains: 1 #040-044-00 Primary Shoe & Lining 1 #040-045-00 Secondary Shoe & Lining 2 #049-011-00 Shoe Hold Down Pin #2 2 #046-077-00 Shoe Hold Down Spring & Cup
6	043-004-00	1	Adjuster Assembly
7	046-018-00	1	Adjusting Screw Spring
8	K71-105-00	1	Magnet Kit Contains: 1 #042-144-00 Magnet (white wire) 1 #027-009-00 Magnet Clip 1 #046-080-00 Magnet Spring
9	046-007-00	2	Adjuster Slot Plug
10	046-016-00	1	Wire Grommet
11	005-067-00	1	Anchor Post Washer
*12	006-193-00	5	Nut Washer Assembly

\* Not included with complete brake assembly. Item sold separately.

## Electric Brake 6000# (CSA 6000#)

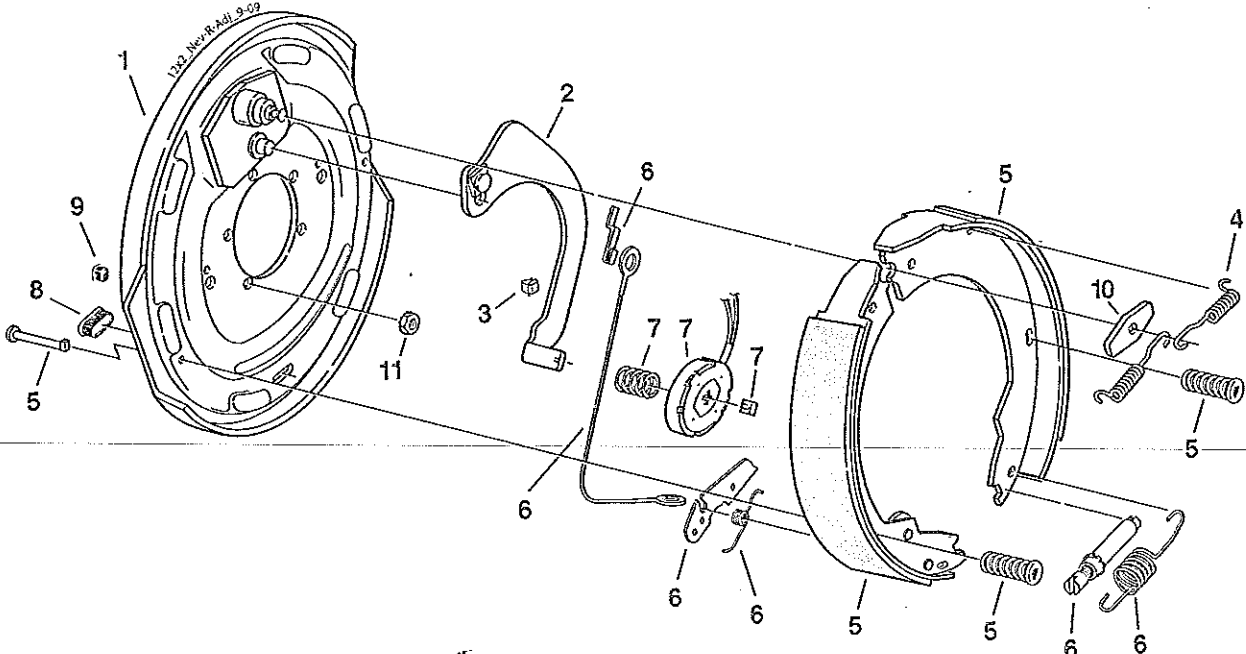
Item	Part No.	Qty/Brk	Description
0	K23-326-00	1	LH Complete Brake Assembly
0	K23-327-00	1	RH Complete Brake Assembly
1	036-089-10	1	Backing Plate Assembly
2	047-107-05	1	LH Actuating Lever Arm Assembly
2	047-108-05	1	RH Actuating Lever Arm Assembly
3	027-005-00	2	Wire Clip
4	046-009-00	2	Retractor Spring
5	K71-127-00	1	Shoe & Lining Kit Contains: 1 #040-215-00 Primary Shoe & Lining 1 #040-216-00 Secondary Shoe & Lining 2 #049-011-00 Shoe Hold Down Pin #2 2 #046-077-00 Shoe Hold Down Spring & Cup
6	043-004-00	1	Adjuster Assembly
7	046-018-00	1	Adjusting Screw Spring
8	K71-105-00	1	Magnet Kit Contains: 1 #042-144-00 Magnet (white wire) 1 #027-009-00 Magnet Clip 1 #046-080-00 Magnet Spring
9	046-007-00	2	Adjuster Slot Plug
10	046-016-00	1	Wire Grommet
11	005-067-00	1	Anchor Post Washer
*12	006-193-00	5	Nut Washer Assembly



# D52, D60 12" x 2" Nev-R-Adjust® Electric Brake

CSA approved at 5200#/14.2 SLR  
CSA approved at 6000#/14.2 SLR

4100 - 6000 LBS. CAPACITY



*Nev-R-Adjust*



## Electric Brake 6000# (CSA 5200#)

Item	Part No.	Qty/Brk	Description
0	K23-458-00	1	LH Complete Brake Assembly
0	K23-459-00	1	RH Complete Brake Assembly (shown)
1	036-089-10	1	Backing Plate Assembly
2	047-107-05	1	LH Actuating Lever Arm Assembly
2	047-108-05	1	RH Actuating Lever Arm Assembly
3	027-005-00	2	Wire Clip
4	046-009-00	2	Retractor Spring
5	K71-673-00	1	LH Shoe & Lining Kit Contains: 1 #040-044-00 Primary Shoe & Lining 1 #040-045-03 Secondary Shoe & Lining 2 #049-011-00 Shoe Hold Down Pin #2 2 #046-077-00 Shoe Hold Down Spring & Cup
5	K71-674-00	1	RH Shoe & Lining Kit Contains: 1 #040-044-00 Primary Shoe & Lining 1 #040-045-04 Secondary Shoe & Lining 2 #049-011-00 Shoe Hold Down Pin #2 2 #046-077-00 Shoe Hold Down Spring & Cup
6	K71-679-00	1	LH & RH Brake Adjuster Kit Contains: 2 #046-139-00 Adjusting Screw Spring 1 #046-140-00 LH Lever Spring 1 #046-141-00 RH Lever Spring 1 #048-022-00 LH Adjuster Assembly 1 #048-023-00 RH Adjuster Assembly 2 #071-528-00 Adjuster Cable 2 #071-529-00 Hook for Cable 1 #071-530-01 LH Adjusting Lever 1 #071-530-02 RH Adjusting Lever
7	K71-105-00	1	Magnet Kit Contains: 1 #042-144-00 Magnet (white wire) 1 #027-009-00 Magnet Clip 1 #046-080-00 Magnet Spring
8	046-007-00	2	Adjuster Slot Plug
9	046-016-00	1	Wire Grommet
10	005-067-00	1	Anchor Post Washer
*11	006-193-00	5	Nut Washer Assembly

\* Not included with complete brake assembly. Item sold separately.

## Electric Brake 6000# (CSA 6000#)

Item	Part No.	Qty/Brk	Description
0	K23-466-00	1	LH Complete Brake Assembly
0	K23-467-00	1	RH Complete Brake Assembly (shown)
1	036-089-10	1	Backing Plate Assembly
2	047-107-05	1	LH Actuating Lever Arm Assembly
2	047-108-05	1	RH Actuating Lever Arm Assembly
3	027-005-00	2	Wire Clip
4	046-009-00	2	Retractor Spring
5	K71-675-00	1	LH Shoe & Lining Kit Contains: 1 #040-215-00 Primary Shoe & Lining 1 #040-216-01 Secondary Shoe & Lining 2 #049-011-00 Shoe Hold Down Pin #2 2 #046-077-00 Shoe Hold Down Spring & Cup
5	K71-676-00	1	RH Shoe & Lining Kit Contains: 1 #040-215-00 Primary Shoe & Lining 1 #040-216-02 Secondary Shoe & Lining 2 #049-011-00 Shoe Hold Down Pin #2 2 #046-077-00 Shoe Hold Down Spring & Cup
6	K71-679-00	1	LH & RH Brake Adjuster Kit Contains: 2 #046-139-00 Adjusting Screw Spring 1 #046-140-00 LH Lever Spring 1 #046-141-00 RH Lever Spring 1 #048-022-00 LH Adjuster Assembly 1 #048-023-00 RH Adjuster Assembly 2 #071-528-00 Adjuster Cable 2 #071-529-00 Hook for Cable 1 #071-530-01 LH Adjusting Lever 1 #071-530-02 RH Adjusting Lever
7	K71-105-00	1	Magnet Kit Contains: 1 #042-144-00 Magnet (white wire) 1 #027-009-00 Magnet Clip 1 #046-080-00 Magnet Spring
8	046-007-00	2	Adjuster Slot Plug
9	046-016-00	1	Wire Grommet
10	005-067-00	1	Anchor Post Washer
*11	006-193-00	5	Nut Washer Assembly