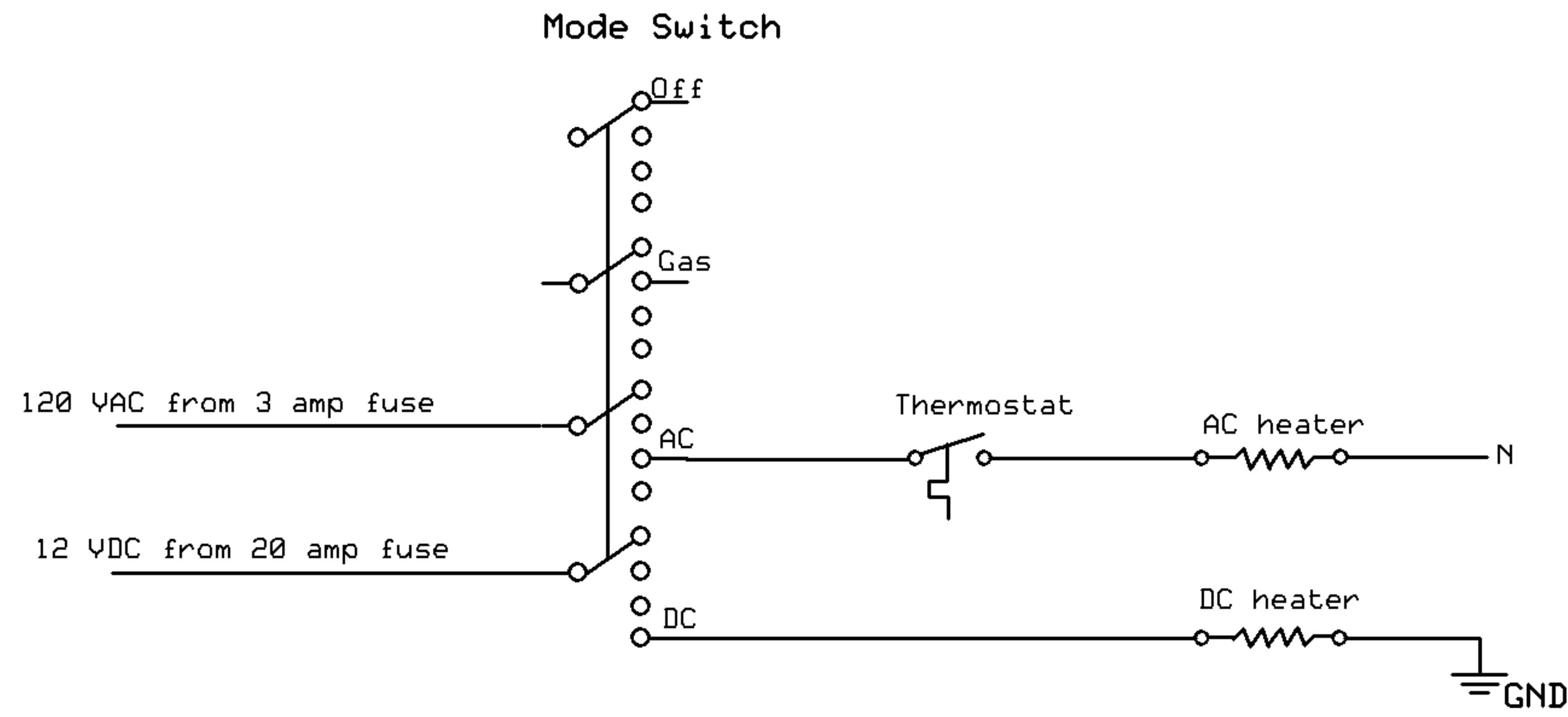
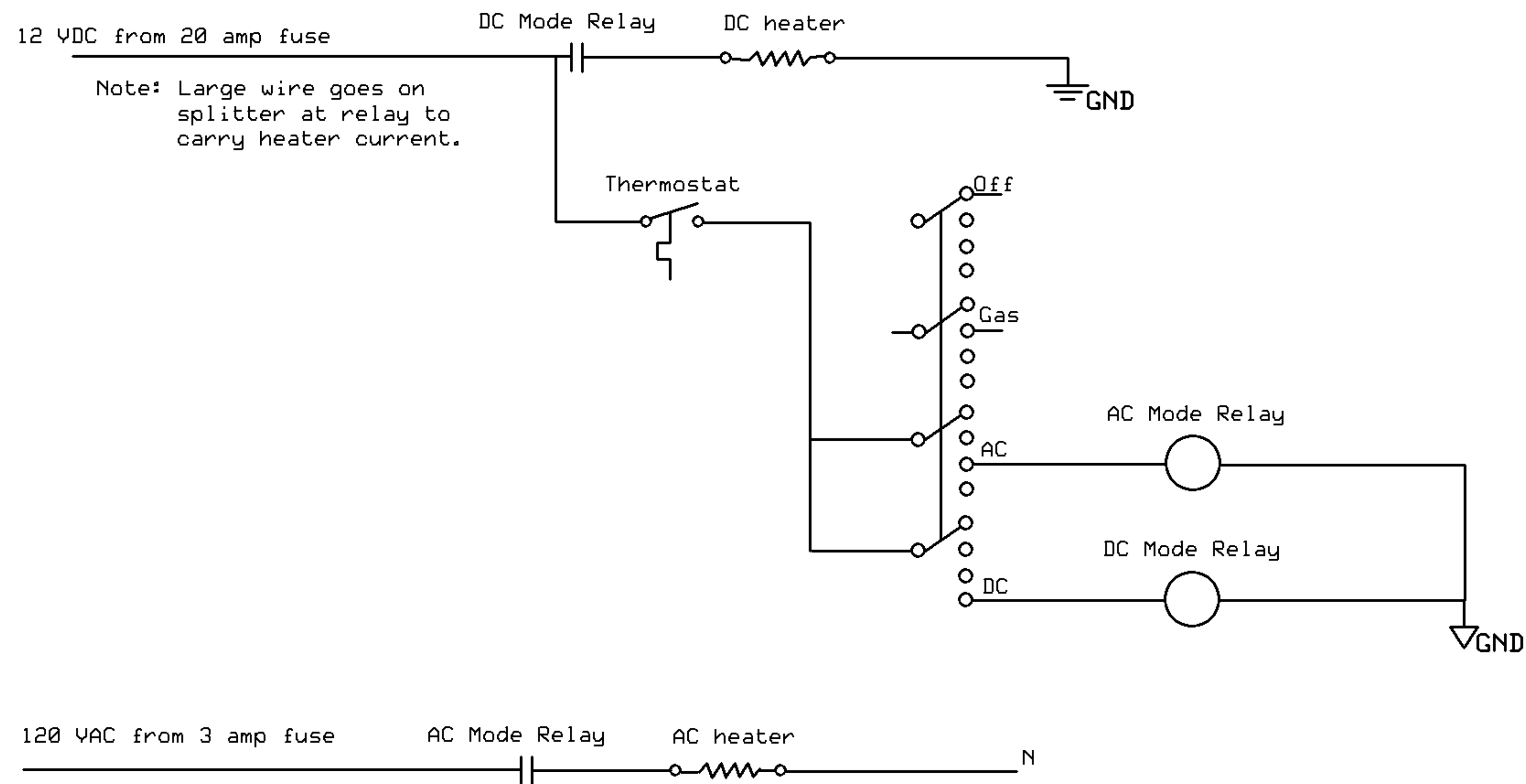


# Original (Partial)



# New setup (Partial)



NOTE: Relay ground uses the ground wire in the AC cable so must be plugged in for relays to work.

<b>N300.3</b>		
<b>2 Relay Thermostat mod</b>		
Dr Rialta	Rev 1.0	Page 1
	11/22/2016	